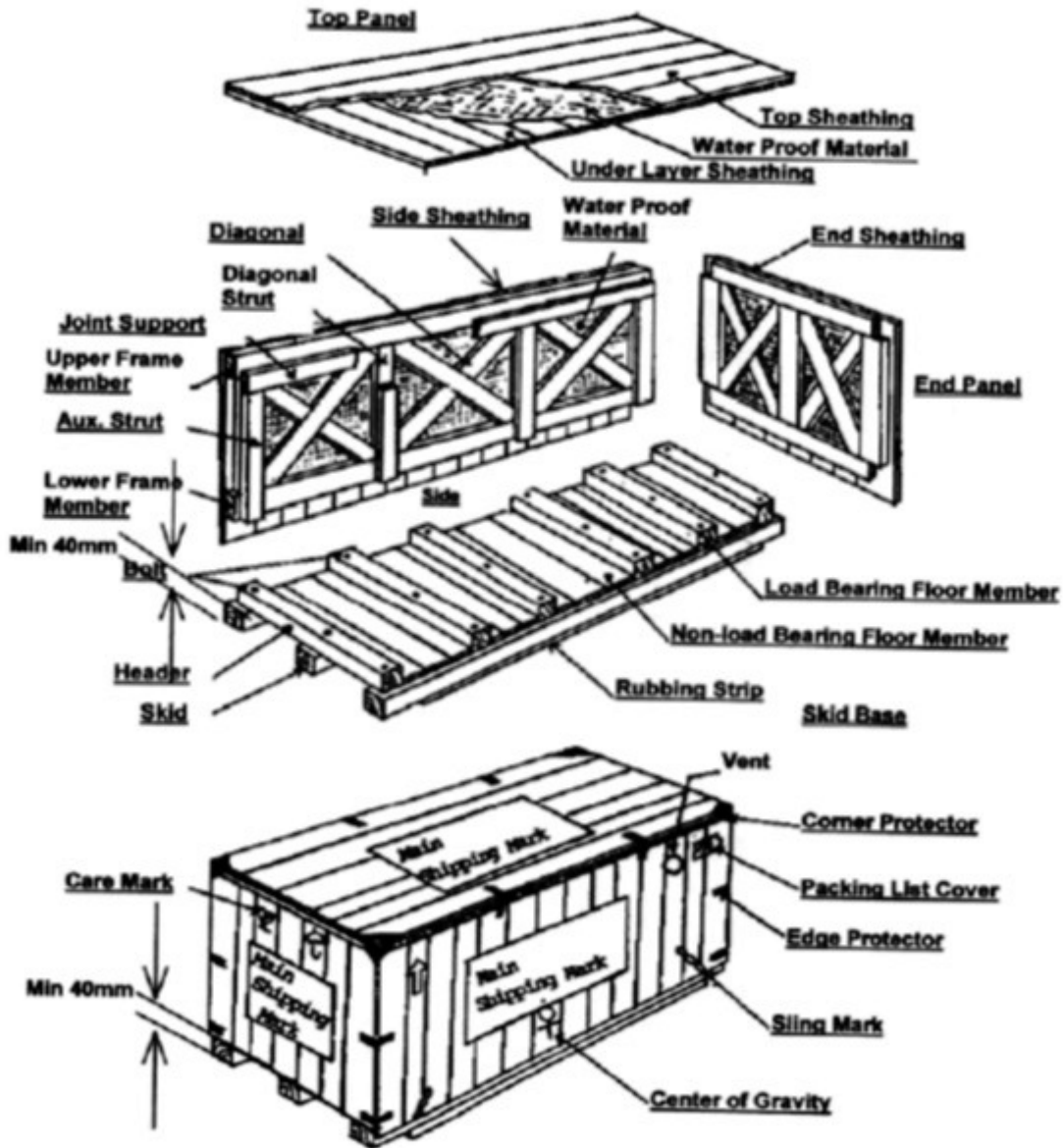
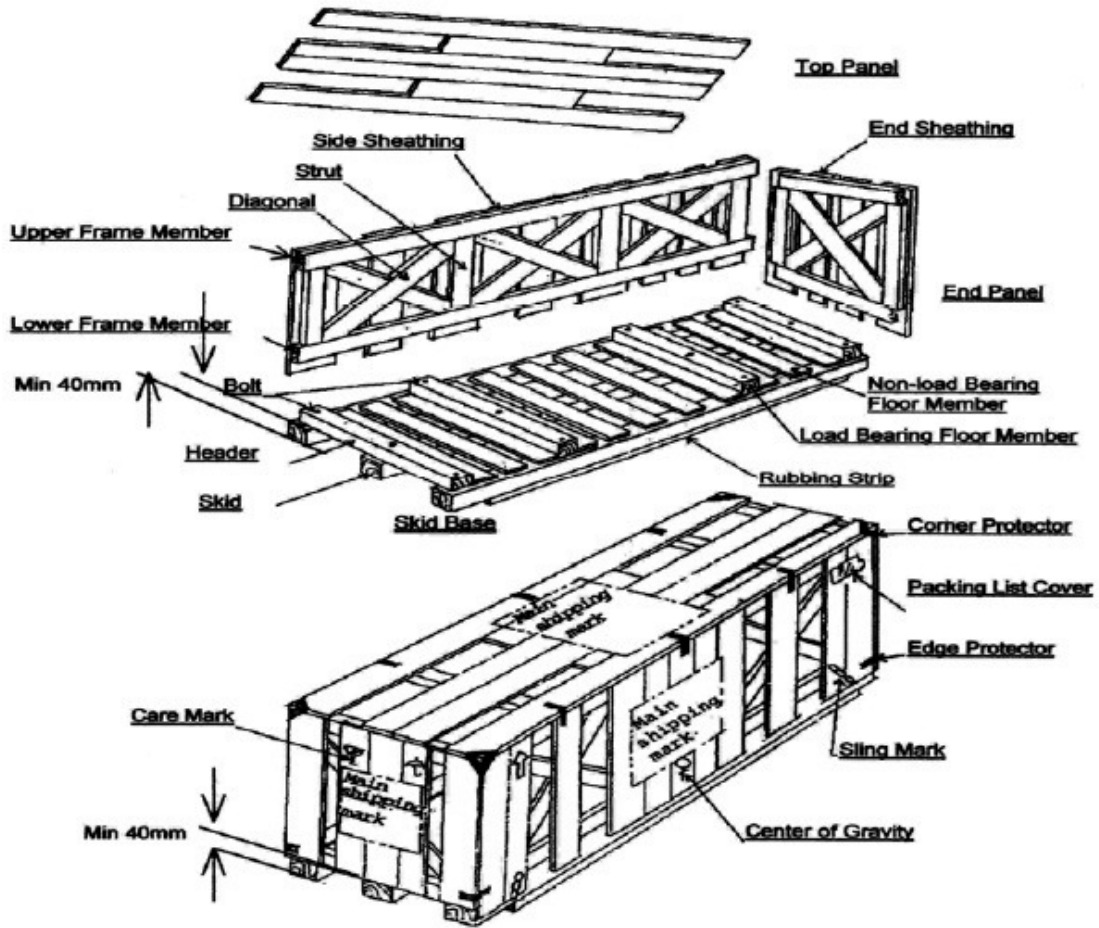


Wooden Case



Wooden Crate



Main member of case and crate

Dimension of Skid, Header and Rubbing strip members Unit cm.

Weight of contents (kgs)	Maximum internal length (*)	Dimensions (width x thickness)	Header	Thickness of rubbing strip
1,000 max	360	10 x5	6x6	3
1,500 max		9 x6		
2,000 max		7.5 x7.5	7.5x7.5	
3,000 max	500	9x9	9x9	4
4,000 max	450			
5,000 max	600	10x10	10x10	5
7,000 max	500			
10,000 max	800	15x15	12x12	6
12,500 max	700			
15,000 max	900			
17,000 max	800	18x18	15x15	6
20,000 max	700			
25,000 max	900	21x21	18x18	7.5
30,000 max	800			
35,000 max	700			
40,000 max	900	24x24	21x21	7.5
45,000 max	800			
50,000 max	1000	24x24	21x21	7.5
55,000 max	900			
60,000 max	800			

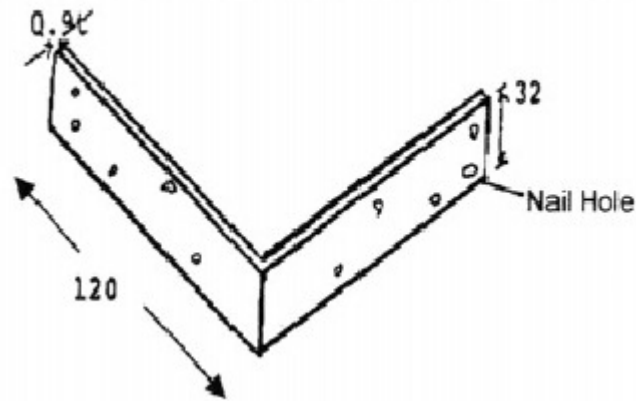
(*) Where the skid exceeds the internal length, skid having the dimensions of the next upper rank shall be used, or else, the distance between the points of support of the lifting rope shall be made shorter than the maximum internal length. However, this shall not apply where the contents are integrally rigid in the longitudinal direction.

Distance between skids

The center distance of skids will be 120 cm or less. However, this distance will be 100 cm or less where the fork is inserted from the end side of the box for handling.

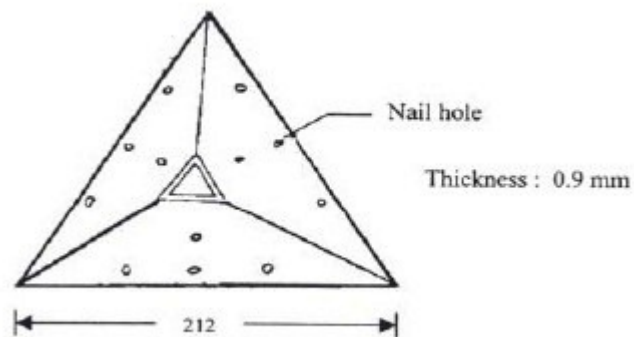
Corner angle (Edge protector)

Anti-corrosive –coated steel strap of not smaller than 0.9 mm x 32 mm x 120 mm x 120 mm will be used with five nails on each side at proper points with an interval of the corner angle about 900 mm each. Two corner angles shall be used at lower part of the package of more than 2,500 kg in gross weight.



Corner angle (Corner protector)

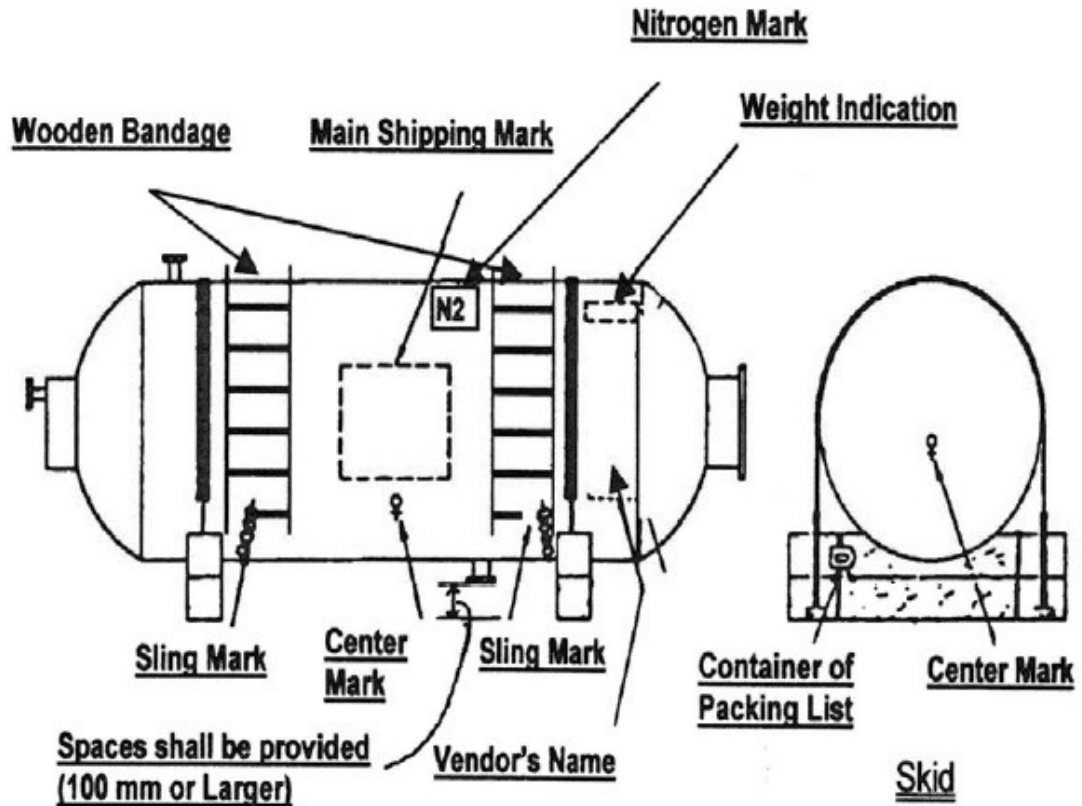
Anti – corrosive-coated pyramid-type corner cover will be fixed to each of the four top corners with nail, instead of corner angle, if available.



Skid (Skid base or saddle)

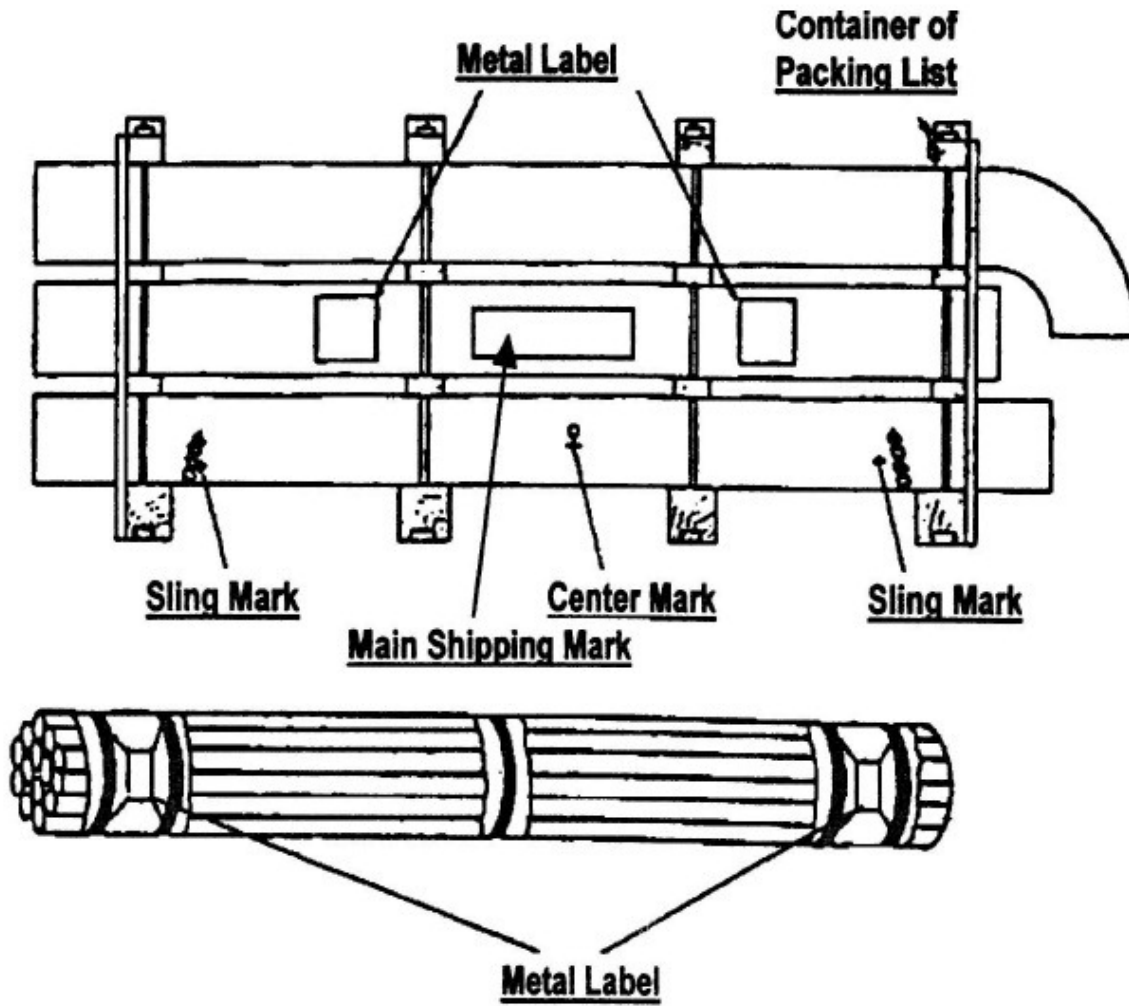
The criteria for selecting skid for towers or tanks shall be as follows:

- (a) For CARGO being strong in its construction and free from damage by impact or contact.
- (b) For CARGO not required waterproofing.



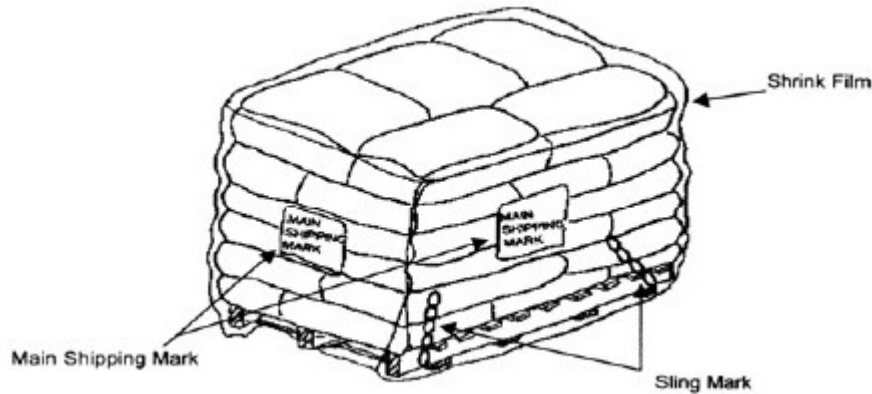
Bundle

Bundle will generally be applied for the large size CARGO being strong and free from damage, such as steel bars, steel frames, and pipes.



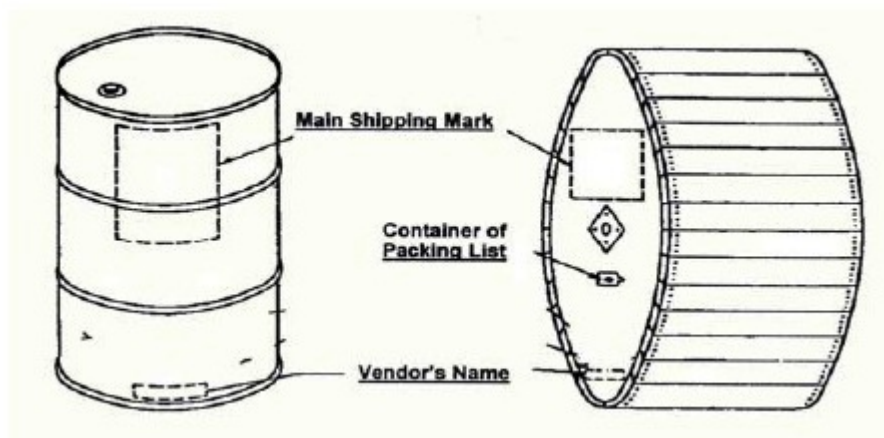
Shrink Package

Shrink package will be applied for the packing of light weight CARGO in carton box or bag such as furnace materials, insulation materials, and fire bricks. Shrink package is subject to PURCHASER's approval in advance.



Drum

Drum will be used for the packing of chemical, liquid, powder and tower packing, and wooden drum shall be used for the packing of electric cable or wire.



Panel

a. Individual packing

- (1) Reinforce so that the assembled equipment can withstand vibration during transportation.
- (2) Protect the sampling instrument's connector (in case).
- (3) Fix wiring, piping, and lamps.
- (4) Close opening of piping, etc.
- (5) Protect instruments, switches, graphics, etc., on the panels' front
- (6) Fix checker plate.

b. Moisture proof interior packing

- (1) Wrap the entire unit with Kraft paper to protect the painted surface of the panel and to prevent adhesion of the packing material.
- (2) If there are any projecting portions, wrap them with felt/mirror mat, etc. to protect and prevent the moisture proof barrier material from being damaged.
- (3) Wrap the whole panel with the moisture proof barrier material, remove the inside air, and heat – seal. Put in desiccating agent.

